

# MAIN FEATURE



## ロータリカップバーナを全機種標準採用

専門の燃焼機メーカーとして永年培った燃焼技術と経験を生かし、船内で発生するあらゆる廃油と取組み、試作研究を重ねた結果、廃油焼却にはロータリカップバーナが最適であると確信しております。全機種に標準採用することにより全てのレンジで卓越した廃油焼却能力を保証します。

## Rotary cup burner is installed for all models

Our long experience as a burning apparatus manufacture and our research for the disposal of waste oil have reached a confidence that "Rotary cup burner" is the most suitable burner for the combustion of waste oil. We guarantee the efficiency of our all incinerators that equip the rotary cup burner as standard.

## 連続投入の要求に応える二重安全投入扉を装備

(OSV型：オプション設定 / OSG型：標準装備)

燃焼中の固形物連続投入を可能とする二重安全投入扉や、投入口を開放することなく固形物を攪拌する揺動ロストル(OSG型)、半固形スラッジの投入を考慮した深底平面炉床など、使用者側に配慮した製品の提供を常日頃より意識しております。

## Options for better usability (Double safety door etc.)

We are always considering the usability of the equipment and providing the double safety door model that can charge the solid waste during the combustion, the rocking fire grate that can agitate the solid waste (OSG-model) and the deep bottom flat bed considering the charging of solid sludge etc.



## 誘引ファン、制御盤等を一体化したオールインワン設計

炉内の負圧を確実に維持し、高性能焼却炉 (OSG型等) で豊富な実績を持つ誘引ファン (排ガスファン) 方式を全機種に標準採用し、排ガス急冷を行う希釈空気室及び附属機器とともにコンパクトに炉と一体化。

## "All in one" design (Induced draft fan & Control panel are installed on furnace)

We adopt the induced draft fans as our standard that have many achievements with our high grade models (OSG-model) in order to obtain steady negative pressure and it is loaded on the furnace together with the exhaust gas cooling chamber and other accessories.



# History of company

- 1968/08 オイルバーナのメンテナンス会社として「大阪サンフレム株式会社」を大阪で創業開始する  
Established "Osaka Sunflame Co., Ltd." at Osaka, for maintenance works of oil burners.
- 1969/09 京都府久御山町に本社工場を建設(敷地700㎡/工場建物470㎡)し移転、オイルバーナの製造会社への転身を図り、船舶補助ボイラー用全自動オイルバーナの製造販売を開始  
Moved head office and factory to Yodo, Kumiyama-cho, Kyoto and started manufacturing of full automatic oil burner for marine auxiliary boiler, changing its business activity to production company of oil burners.
- 1972/01 船舶廃油焼却炉OSV型の製造を開始し1号機「OSV-30型」を出荷  
Started manufacturing of shipboard incinerator "OSV" model and delivered 1st model "OSV-30".
- 1980/04 スウェーデン・ベトロクラフト社とロータリカップバーナの業務提携を行い、日本国内外への販売開始すると共に、船舶補助ボイラー用廃油重油併用ロータリカップバーナ「SSR型」の製造販売開始  
Made exclusive sales agreement with Petrokraft AB and started to sell Petrokraft Rotary cup Burner in Japanese and Far Eastern market. Started manufacturing of Rotary cup burner, "SSR" model for the combustion of heavy fuel oil and waste oil for marine auxiliary boiler.
- 1982/01 社名を「株式会社サンフレム」と改称し、京都府久御山町に本社工場(敷地1870㎡/工場建物1650㎡)を新設し移転  
Changed company name to "Sunflame Co., Ltd.", constructed and moved head office and factory to Hayashi, Kumiyama-cho, Kyoto.
- 1984/03 回転炉床式固形スラッジ焼却装置「SG-30RA型」の製造販売開始  
Started manufacturing of Rotary bed type sludge incinerator "SG-30RA".
- 1989/01 固形廃棄物の大量処理可能な焼却炉「OSG型」の製造販売開始  
Started manufacturing of "OSG" model for the disposal of large volume of solid waste.
- 1998/08 業容拡大のため京都府久御山町野村に本社工場(敷地2850㎡/工場建物2780㎡)を新設し移転  
Constructed and moved head office and factory to the address at Nomura, Kumiyama-cho in Kyoto for the expansion of the business.
- 1998/12 IMO MARPOL73/78/97 ANNEX VI Reg.16対応型焼却炉「OSV-600SAI」の型式承認を取得し出荷をするるとともに新ラインナップの製造販売開始  
Delivered 1st unit of IMO type approved incinerator "OSV-600SAI" and established the line up of IMO type approved incinerator.
- 2005/03 ISO9001:2000認証取得  
Became ISO9001:2000 certified company.
- 2005/05 業容拡大のため現在地(京都府宇治市)に本社工場(敷地6614㎡/工場建物5300㎡)を新設し移転  
Moved head office & factory to the present premises, Uji-city in Kyoto to meet the market demand and expansion.



〒611-0033 京都府宇治市大久保町西ノ端1番30  
TEL.0774-41-3310 FAX.0774-41-3311  
1-30, NISHINOHATA, OKUBO-CHO, UJI, KYOTO 611-0033, JAPAN  
TEL.+81-774-41-3310 FAX.+81-774-41-3311  
E-mail : info@sunflame.net.

I200002-08

IMO MARPOL73/78/97 ANNEX VI Reg.16



# INCINERATOR

for MARINE USE

主要船籍国発行の正式型式証明書取得  
Formal type approval certificate issued by main flag administration

EU諸国向けにCEマーク取得  
CE marking for EU country



SUNFLAME  
SUNFLAME  
SUNFLAME  
SUNFLAME  
SUNFLAME  
SUNFLAME  
SUNFLAME  
SUNFLAME





# LINE UP & SPECIFICATION

# PIPING ARRANGEMENTS

240kW(210,000kcal/H)~1500kW(1,290,000kcal/H)の処理量に対応する豊富なラインナップを用意しており、利用頂く上での様々な要求に柔軟に対応可能です。  
We provide various models from 240kW (210,000kcal/H) to 1500kW (1,290,000kcal/H) in order to meet your flexible demand.

SPEC	TYPE	UNIT	CAPACITY			MOTOR CAPACITY				SIZE	EXH. GAS DUCT DIAMETER	WEIGHT
			COMBUSTION	WASTE OIL	SOLID WASTE	BNR.	I.D.FAN	PRIMARY AIR FAN	W.O.PUMP	W × D × H (H1)	JIS 5K	≒kg
			MJ/H kcal/H	kg/H		kw × pole				mm		
OSV	OSV-240SAI		860	26	20	0.4 × 4	2.2 × 4	ON BNR.	ON BNR.	2255 × 1335 × 2042(1950)	300A	2350
			210,000									
	OSV-360SAI		1,300	38	30	0.4 × 4	3.7 × 4	ON BNR.	ON BNR.	2255 × 1335 × 2042(1950)	400A	2400
			310,000									
	OSV-600SAI		2,160	64	50	0.75 × 4	5.5 × 4	ON BNR.	ON BNR.	2525 × 1405 × 2496(2270)	500A	3100
			516,000									
	OSV-900SAI		3,240	97	75	1.5 × 4	5.5 × 4	ON BNR.	ON BNR.	2925 × 1632 × 2956(2710)	600A	4700
		770,000										
OSV-1200SAI		4,320	129	100	0.4 × 2	7.5 × 4	3.7 × 2	0.75 × 4	2890 × 2270 × (2791)	700A	6100	
		1,030,000										
OSV-1500SAI		5,400	161	125	0.4 × 2	15.0 × 4	3.7 × 2	0.75 × 4	3150 × 2270 × (2791)	800A	6600	
		1,290,000										
OSG	OSG-360SDA		1,300	38	48	0.4 × 4	3.7 × 4	ON BNR.	ON BNR.	2525 × 1895 × 2459(2367)	400A	3750
			310,000									
	OSG-600SDA		2,160	64	80	0.75 × 4	5.5 × 4	ON BNR.	ON BNR.	2525 × 1895 × 2714(2488)	500A	3800
			516,000									
	OSG-900SDA		3,240	97	120	1.5 × 4	5.5 × 4	ON BNR.	ON BNR.	2918 × 2002 × 3060(2900)	600A	5600
			770,000									
OSG-1200SDA		4,320	129	160	0.4 × 2	7.5 × 4	3.7 × 2	0.75 × 4	2890 × 2270 × (2791)	700A	7000	
		1,030,000										
OSG-1500SDA		5,400	161	200	0.4 × 2	15.0 × 4	3.7 × 2	0.75 × 4	3150 × 2270 × (2791)	800A	7500	
		1,290,000										

※型式に含まれる数字は、焼却容量をキロワット表示にしたものです。

The figure in the Model indicates the capacity of the incinerator in kW.

※OSV-1200SAI以上、OSG-1200SDA以上はLDファンは別置きとなります。

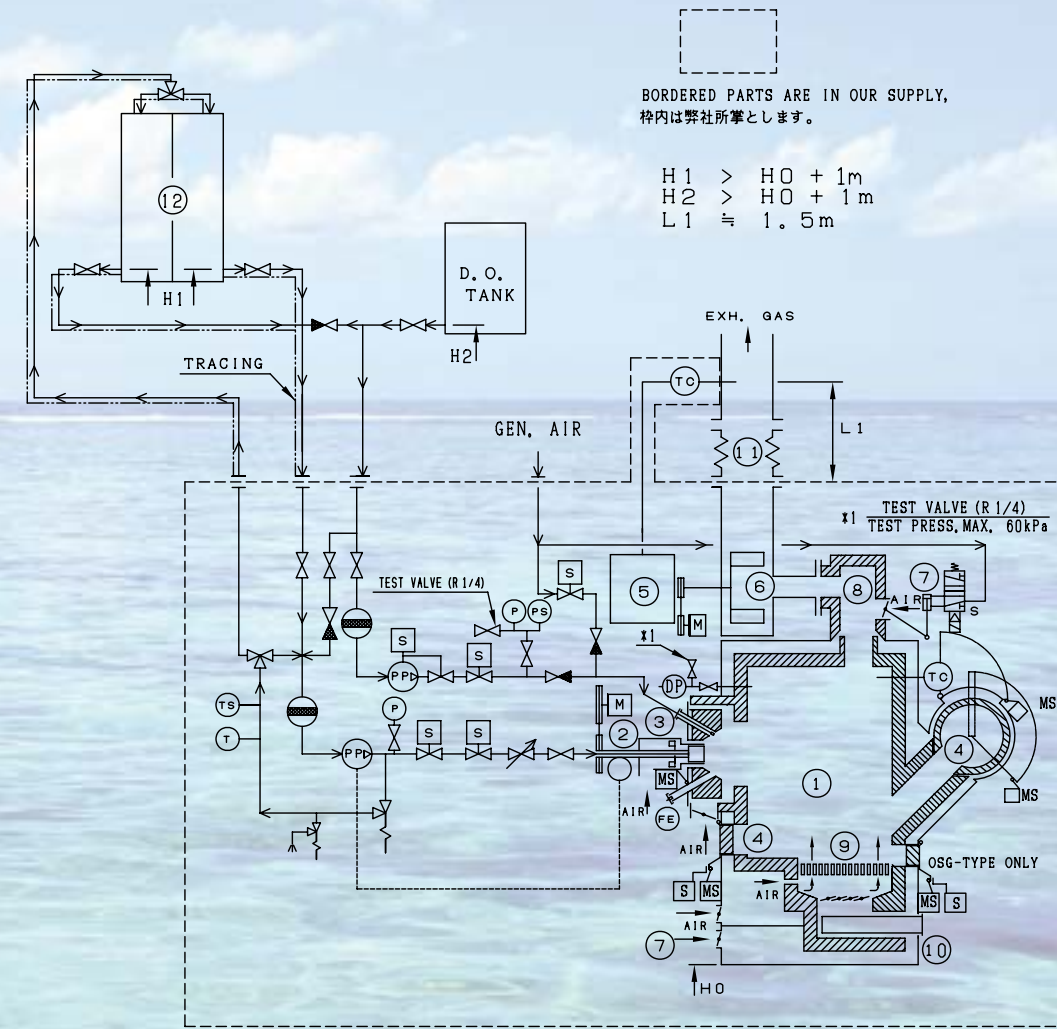
The induced draft fan for the model more than OSV-1200SAI and OSG-1200SDA is installed separately from the furnace.

※日本籍船については若干仕様異なるためスペック等を当社までお問合せ頂きますようお願い致します。

The specification for the incinerator installed on Japanese flag vessel is a little different. Please make inquiry to us for the detail.

※上記製品ラインナップ、スペック等のカタログ記載項目は予告なく変更される場合があります。

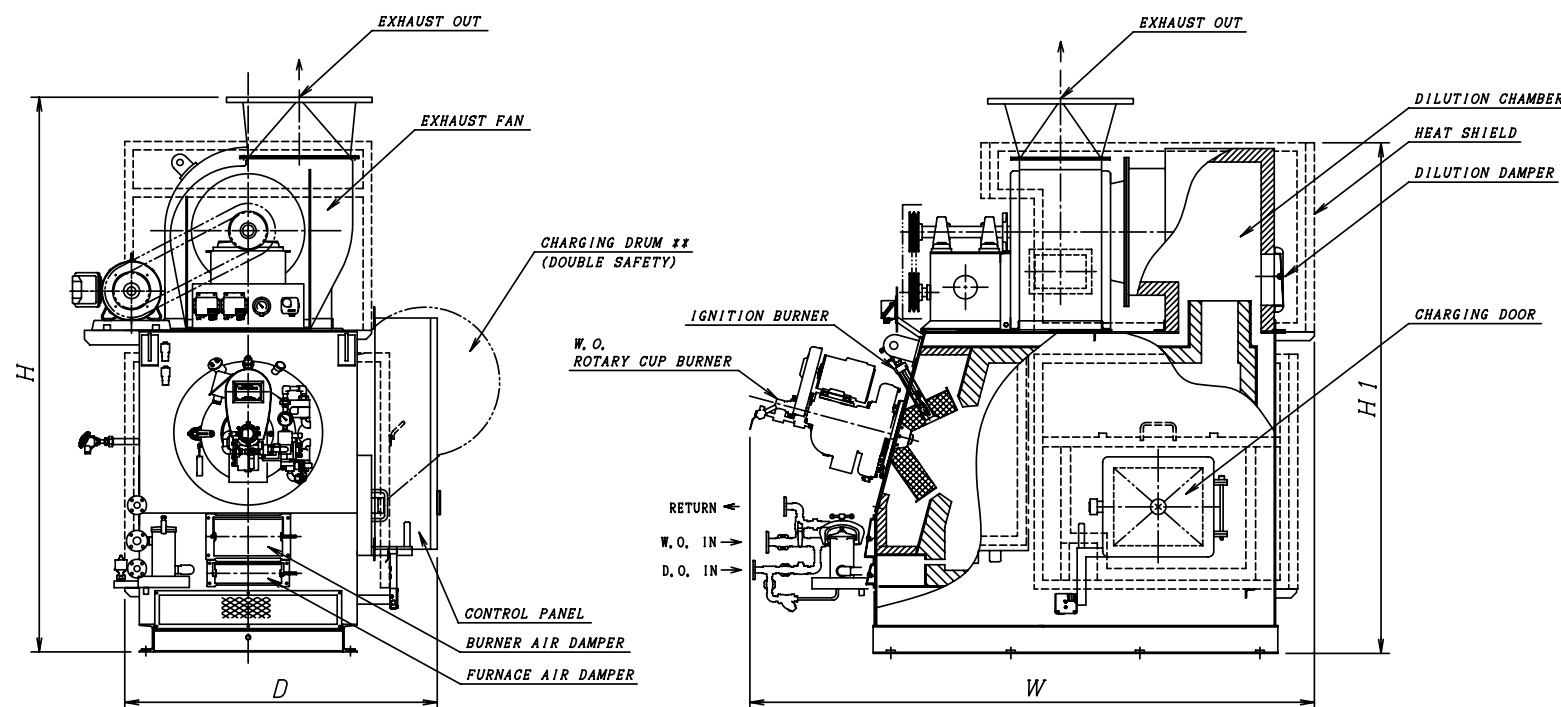
The items mentioned on catalogue may be changed without notice.



No.	NAME
①	FURNACE
②	MAIN BURNER UNIT
③	IGNITION BURNER UNIT
④	CHARGING DOOR (SINGLE or DOUBLE)
⑤	CONTROL PANEL
⑥	EXHAUST FAN
⑦	DILUTION DAMPER UNIT
⑧	DILUTION CHAMBER
⑨	ROCKING GRATE (OSG-TYPE ONLY)
⑩	ASH TRAY (OSG-TYPE ONLY)
⑪	EXPANSION JOINT (OUT OF OUR SUPPLY)
⑫	WASTE OIL TANK (OUT OF OUR SUPPLY)
PP	PUMP
M	MOTOR
S	SOLENOID
T	THERMO-METER
TC	THERMO-COUPLE
TS	THERMO-STAT
P	PRESSURE GAUGE
PS	PRESSURE SWITCH
DP	DIFF. PRESS. SWITCH
FE	FLAME EYE
MS	LIMIT SWITCH

## OSV TYPE

## OSG TYPE



xx CHARGING DRUM will be provided upon your request (extra).

